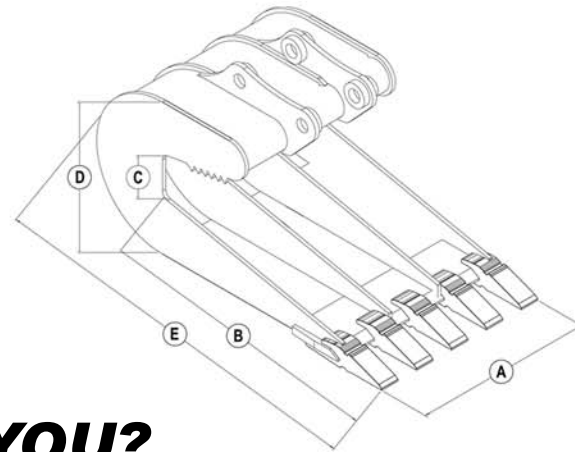




- QUICKLY LIFTS & REMOVES ENTIRE SLABS OF PAVEMENT FROM HIGHWAYS, RUNWAYS, BRIDGE DECKS, & PARKING LOTS
- SPECIALLY DESIGNED "J" SHAPE TO GET UNDER BOTH RIGID & FLEXIBLE PAVEMENT
- FABRICATED OUT OF HIGH STRENGTH AR400 STEEL FOR DURABILITY & LONGEVITY
- INSIDE HAS RIBBED REINFORCEMENT TO PREVENT DAMAGE & WEAR WHILE ADDING RIGIDITY
- WHILE OFTEN COPIED BUT NEVER DUPLICATED, THE LEMAC HEAVY TUBE SECTION DESIGN FORMS THE TOP BEAM OF THE BUCKET PROVIDING AN EXTREMELY SOLID BASE FOR THE MOUNTING EARS.
- SPECIFIC WIDTHS AVAILABLE TO REACH BETWEEN BRIDGE BEAMS. CUSTOM WIDTHS AVAILABLE
- SUITABLE FOR MINI'S TO HEAVY EXCAVATORS
- OFFERED STANDARD WITH A WIDE VARIETY OF TOOTH SYSTEMS INCLUDING CAT STYLE, HENSLEY, & ESCO ETC.
- OPTIONAL HALF ARROW EDGE OPTION MINIMIZES SUBGRADE DISTURBANCE
- ONE YEAR OR 1,500 HOUR WARRANTY
- MANUFACTURED IN VIRGINIA, USA & SCOTLAND, UK



## WHICH MODEL IS RIGHT FOR YOU?

MODEL	MACHINE SIZE		TYPICAL WIDTH (A)		THROAT DEPTH (B)		THROAT OPENING (C)		BODY HEIGHT (D)		OVERALL LENGTH (E)	
	lb	mt	in	mm	in	mm	in	mm	in	mm	in	mm
PR035	7,500 = 8,500	3 = 4	15 = 36	381 = 914	28.0	710	4.7	119	16.7	424	36.3	922
PR05	9,500 = 11,500	4 = 5	15 = 36	381 = 914	34.5	877	5.2	131	18.6	472	43.4	1,104
PR08	11,500 = 15,500	5 = 7	15 = 36	381 = 914	36.5	928	5.6	141	21.1	536	47.1	1,196
PR13	24,000 = 30,500	11 = 14	18 = 48	457 = 1,219	45.2	1,149	6.9	175	26.2	665	57.2	1,454
PR16	30,500 = 40,000	14 = 18	18 = 48	457 = 1,219	52.6	1,335	8.2	208	31.2	792	68.2	1,731
PR21	40,000 = 50,000	18 = 23	18 = 48	457 = 1,219	57.5	1,462	8.9	227	33.1	841	74.6	1,895
PR25	50,000 = 58,000	23 = 26	24 = 60	610 = 1,524	64.5	1,639	10.0	255	37.1	943	83.7	2,125
PR30	68,000 = 85,000	31 = 39	24 = 60	610 = 1,524	71.3	1,811	11.1	281	41.1	1,043	92.3	2,345
PR45	85,000 = 105,000	39 = 48	24 = 60	610 = 1,524	84.7	2,151	12.8	326	48.8	1,239	107.0	2,718
PR50+	CALL FOR MORE INFORMATION. CUSTOM SIZING AVAILABLE.											

\*Facts and figures are for reference only. Custom attachments may differ than specifications listed above.



UK / EUROPE

Email: [uksales@lemaconline.com](mailto:uksales@lemaconline.com)  
Phone: +44 (0) 1259-751573

Website: [www.LemaOnline.com](http://www.LemaOnline.com)



US / CANADA

Email: [sales@lemaconline.com](mailto:sales@lemaconline.com)  
Phone: 1 (804) 862-8481

**Distributed By:**

(Attach Business Card Here)